



Advanced Shipment Notification

Transaction Set **856**

ANSI Standard Version **4010**

This document is a subset of the ANSI Standard 856, the segments contained in this document are used by HSN for **Drop Ship** confirmation of shipment.

856iHC41**SEGMENT ISA - INTERCHANGE CONTROL HEADER****PURPOSE**

To start and identify an interchange of one or more functional groups and interchange-related control segments.

HSN SUBSET OF EDI STANDARD SEGMENT

Same as the EDI Standard Segment

| ELEMENT NUMBER | ELEMENT NAME/DESCRIPTION | ELEMENT ATTRIBUTES | COMMENTS |
|-----------------------|--|---------------------------|-----------------------------|
| ISA | SEGMENT IDENTIFIER | | "ISA" |
| I01 001 | AUTHORIZATION INFORMATION QUALIFIER Code to identify the type of information in the Authorization Information. | (M IS 2/2) | " 00 " |
| I02 002 | AUTHORIZATION INFORMATION Information used for additional identification or authorization of the sender or the data in the interchange. The type of information is set by the Authorization Information Qualifier. | (M AN 10/10) | blank |
| I03 003 | SECURITY COMMUNICATION QUALIFIER Code to identify the type of information in the Security Information. | (M ID 2/2) | " 00 " |
| I04 004 | SECURITY INFORMATION This is used for identifying the security information about the sender of the data in the interchange. The type of information is set by the Security Information Qualifier. | (M AN 10/10) | blank |
| I05 005 | INTERCHANGE ID QUALIFIER Qualifier to designate the system/method of code structure used to designate the sender or receiver ID element being qualified. | (M ID 2/2) | Your interchange qualifier. |

NOTE REGARDING THE COMMENTS FIELD: Actual values are contained within quotes

856iHC41

| | | | |
|--------------------|--|--------------|---|
| I06 006 | INTERCHANGE SENDER ID Identification code published by the sender for other parties to use as the receiver ID to route data to them. The sender always codes this number in the sender ID element. | (M ID 15/15) | Your interchange ID. |
| I05 007 | INTERCHANGE ID QUALIFIER Qualifier to designate the system/method of code structure used to designate the sender or receiver ID element being qualified. | (M ID 2/2) | HSN interchange qualifier. " 01 " |
| I07 008 | INTERCHANGE RECEIVER ID Identification code published by the sender for other parties to use as the receiver ID to route data to them. The sender always codes this number in the sender ID element. | (M ID 15/15) | HSN interchange ID. " 076902113 " "076902113T" (for testing) |
| I08 009 | INTERCHANGE DATE | (M DT 6/6) | Interchange creation date (YYMMDD) |
| I09 010 | INTERCHANGE TIME | (M TM 4/4) | Interchange creation time. HHMM |
| I10 011 | INTERCHANGE CONTROL STANDARDS IDENTIFIER Code to identify the agency responsible for the control standard used by the message that is enclosed by the interchange header and trailer. | (M ID 1/1) | " U " |
| I11 012 | INTERCHANGE CONTROL VERSION NUMBER This version number covers the interchange control segments and the functional group control segments. | ((M ID 5/5) | " 00401 " |
| I12 013 | INTERCHANGE CONTROL NUMBER This number uniquely identifies the interchange data to the sender. | (M NO 9/9) | Your sequential number |
| I13 014 | ACKNOWLEDGMENT REQUESTED Code sent by the sender to request an interchange acknowledgment. | (M ID 1/1) | " 0 " |

NOTE REGARDING THE COMMENTS FIELD: Actual values are contained within quotes

856iHC41

| | | | |
|--------------------------|---|------------|------------------------------------|
| I14 015 | TEST INDICATOR Code to indicate whether data enclosed by this interchange envelope is test or production. | (M ID 1/1) | " P " = production " T " = test |
| I15 016 | SUBELEMENT SEPARATOR | (M AN 1/1) | " > " |

856iHC41

SEGMENT GS - FUNCTION GROUP HEADING

PURPOSE

To indicate the beginning of a functional group and to provide control information.

EDI STANDARD SEGMENT

GS * 479 * 142 * 124 * 29 * 30 * 28 *
 455 * 480 ~

HSN SUBSET OF EDI STANDARD SEGMENT

Same as the EDI Standard Segment.

| ELEMENT NUMBER | ELEMENT NAME/DESCRIPTION | ELEMENT ATTRIBUTES | COMMENTS |
|----------------|--|--------------------|--|
| GS | SEGMENT IDENTIFIER | | "GS" |
| 479 001 | FUNCTIONAL IDENTIFIER CODE Code identifying a group of related Transaction Sets. | (M ID 2/2) | "SH" |
| 142 002 | APPLICATION SENDER'S CODE Code identifying sending party. | (M AN 2/15) | Your interchange ID. |
| 124 003 | APPLICATION RECEIVER'S CODE Code identifying receiving party. | (M AN 2/15) | HSN interchange ID "076902113" "076902113T" (for testing) |
| 29 004 | GROUP DATE Date sender generated a group of transaction sets. | (M DT 8/8) | Your system date when group was created (CCYYMMDD). |
| 30 005 | GROUP TIME Time when the sender generated a group of transaction sets | (M TM 4/4) | Your local time when group was generated (HHMM). |
| 28 006 | GROUP CONTROL NUMBER Assigned number originated and maintained by the sender. | (M ID 1/9) | Your sequential number |
| 455 007 | RESPONSIBLE AGENCY CODE. Code used in conjunction with Data Element 480 to identify the issuer of the standard. | (M ID 1/2) | "X" for ASC X12. |
| 480 008 | VERSION/RELEASE/INDUSTRY ID CODE Version and release information of the EDI standard being used. | (M ID 1/12) | "004010" version number |

NOTE REGARDING THE COMMENTS FIELD: Actual values are contained within quotes

856iHC41**SEGMENT ST - TRANSACTION SET HEADER****PURPOSE**

To indicate the start of a transaction set and to assign a control number.

EDI STANDARD SEGMENT

| | | | | | |
|----|---|-----|---|-----|---|
| ST | * | 143 | * | 329 | ~ |
|----|---|-----|---|-----|---|

HSN SUBSET OF EDI STANDARD SEGMENT

Same as EDI Standard Segment above.

| ELEMENT NUMBER | ELEMENT NAME/DESCRIPTION | ELEMENT ATTRIBUTES | COMMENTS |
|----------------|--|--------------------|--|
| ST | SEGMENT IDENTIFIER | | "ST" |
| 143 | TRANSACTION SET IDENTIFIER CODE Code uniquely identifying a transaction set. | (M AN 3/3) | "856" |
| 329 | TRANSACTION SET CONTROL NUMBER Identifying control number assigned by the originator for a transaction set. | (M AN 4/9) | Unique control number identifying this transmission. |

856iHC41**SEGMENT BSN - BEGINNING SEGMENT FOR SHIP NOTICE****PURPOSE**

To transmit identifying numbers, dates and other basic data relating the transaction set.

| ELEMENT NUMBER | ELEMENT NAME/DESCRIPTION | ELEMENT ATTRIBUTES | COMMENTS |
|-----------------------|---|---------------------------|--------------------------------------|
| BSN | SEGMENT IDENTIFIER | | "BSN" |
| 353 001 | TRANSACTION SET PURPOSE CODE Code identifying purpose of transaction set. | (M ID 2/2) | " 00 " |
| 396 002 | SHIPMENT IDENTIFICATION A unique control number assigned by the original shipper to identify a specific shipment. | (M AN 2/30) | Your warehouse and order number. |
| 373 003 | DATE | (M DT 8/8) | Date order shipped CCYYMMDD |
| 337 004 | TIME | (M TM 4/6) | Local time in 24 hour format HHMM |

856iHC41**SEGMENT HL - HIERARCHICAL LEVEL****PURPOSE**

To identify dependencies among and the context of hierarchically related groups of data segments.

| ELEMENT NUMBER | ELEMENT NAME/DESCRIPTION | ELEMENT ATTRIBUTES | COMMENTS |
|-----------------------|---|---------------------------|---------------------------------------|
| HL | SEGMENT IDENTIFIER | | "HL" |
| 628 001 | HIERARCHICAL ID NUMBER A unique number assigned by the sender to identify a particular data segment in a hierarchical structure. | (M AN 1/12) | Sequential number for each HL segment |
| 734 002 | HIERARCHICAL PARENT ID NUMBER | (O AN 1/12) | **NOT USED** |
| 735 003 | HIERARCHICAL LEVEL CODE Code defining the characteristic of a level in a hierarchical structure. | (M ID 1/2) | " I " = Item |
| 736 004 | HIERARCHICAL CHILD CODE Code indicating whether if there are hierarchical child data segments subordinate to the level being described. | (O ID 1/1) | " 0 " (No subordinate HL segments) |

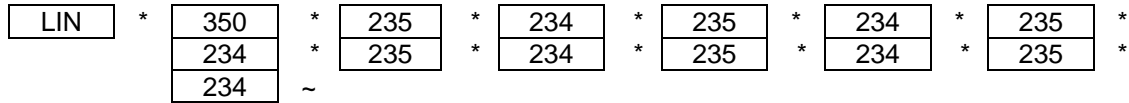
856iHC41

SEGMENT LIN – ITEM IDENTIFICATION

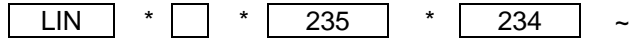
PURPOSE

To provide information relative to item information.

EDI STANDARD SEGMENT



HSN SUBSET OF EDI STANDARD SEGMENT



| ELEMENT NUMBER | ELEMENT NAME/DESCRIPTION | ELEMENT ATTRIBUTES | COMMENTS |
|----------------|--------------------------|--------------------|--|
| 350 001 | ASSIGNED IDENTIFICATION | (O AN 1/20) | **NOT USED** |
| 235 002 | PRODUCT SERVICE ID/QUAL | (M ID 2/2) | HSN Mandatory 'IT' |
| 234 003 | PRODUCT SERVICE ID | (M AN 1/48) | HSN Mandatory HSN Item Number (from 850 P0109) |

856iHC41

SEGMENT PRF - PURCHASE ORDER REFERENCE

PURPOSE

To provide reference to a specific purchase order.

EDI STANDARD SEGMENT

PRF * 324 * 328 * 327 * 323 * 350 *
 367 ~ 92 ~

HSN SUBSET OF EDI STANDARD SEGMENT

PRF * 324 * 328 * | * | * 350 ~

| ELEMENT NUMBER | ELEMENT NAME/DESCRIPTION | ELEMENT ATTRIBUTES | COMMENTS |
|----------------|--|--------------------|---|
| PRF | SEGMENT IDENTIFIER | | "PRF" |
| 324 001 | PURCHASE ORDER NUMBER Identifying number for Purchase Order assigned by the order/purchaser. | (M AN 1/22) | HSN Mandatory Purchase Order number (from 850 BEG 03) |
| 328 002 | RELEASE NUMBER Number identifying a release against a Purchase Order previously placed by the parties involved in the transaction. | (O AN 1/30) | Your sequential number |
| 327 003 | CHANGE ORDER SEQUENCE NUMBER | (O AN 1/8) | **NOT USED** |
| 323 004 | PURCHASE ORDER DATE | (O DT 6/6) | **NOT USED** |
| 350 005 | ASSIGNED IDENTIFICATION Alphanumeric characters assigned for differentiation within a transaction set. | (O AN 1/20) | HSN Line number, if applicable (from 850 PO1 01) (Length = 2, zero filled) |
| 367 006 | CONTRACT NUMBER | (O AN 1/30) | **NOT USED** |
| 92 007 | PURCHASE ORDER TYPE CODE | (O ID 2/2) | **NOT USED** |

856iHC41**SEGMENT REF - REFERENCE NUMBERS****PURPOSE**

To specify pertinent numbers and types.

EDI STANDARD SEGMENT

REF * 128 * 127 * 352 ~

HSN SUBSET OF EDI STANDARD SEGMENT

REF * 128 * 127 ~

| ELEMENT NUMBER | ELEMENT NAME/DESCRIPTION | ELEMENT ATTRIBUTES | COMMENTS |
|----------------|--|--------------------|--|
| REF | SEGMENT IDENTIFIER | | "REF" |
| 128 001 | REFERENCE NUMBER QUALIFIER Code specifying type of reference number | (M ID 2/3) | "CN" |
| 127 002 | REFERENCE NUMBER Carrier Assigned Package Identification Number | (C AN 1/30) | CARRIERS TRACKING NUMBER Note: if you do not have an actual UPS, USPS or other approved carrier tracking number, please leave this element blank. |
| 352 003 | DESCRIPTION | (C AN 1/80) | **NOT USED** |

856iHC41**SEGMENT REF - REFERENCE NUMBERS****PURPOSE**

To specify pertinent numbers and types.

EDI STANDARD SEGMENT

REF * 128 * 127 * 352 ~

HSN SUBSET OF EDI STANDARD SEGMENT

REF * 128 * 127 ~

| ELEMENT NUMBER | ELEMENT NAME/DESCRIPTION | ELEMENT ATTRIBUTES | COMMENTS |
|----------------|--|--------------------|----------------|
| REF | SEGMENT IDENTIFIER | | "REF" |
| 128 001 | REFERENCE NUMBER QUALIFIER Code specifying type of reference number | (M ID 2/3) | "IV" |
| 127 002 | REFERENCE NUMBER Vendor assigned Invoice Number | (C AN 1/30) | Invoice Number |
| 352 003 | DESCRIPTION | (C AN 1/80) | **NOT USED** |

856iHC41**SEGMENT DTM - DATE/TIME REFERENCE****PURPOSE**

To specify pertinent dates and times.

EDI STANDARD SEGMENT

DTM * 374 * 373 * 337 * 623 * 624 ~

HSN SUBSET OF EDI STANDARD SEGMENT

DTM * 374 * 373 ~

| ELEMENT NUMBER | ELEMENT NAME/DESCRIPTION | ELEMENT ATTRIBUTES | COMMENTS |
|----------------|---|--------------------|---|
| DTM | SEGMENT IDENTIFIER | | "DTM" |
| 374 001 | DATE/TIME QUALIFIER Code specifying type of date or time, or both date and time. | (M ID 3/3) | "011" |
| 373 002 | DATE Date. | (C DT 8/8) | HSN Mandatory Shipping date (CCYYMMDD) |
| 337 003 | TIME | (C TM 4/6) | **NOT USED** |
| 623 004 | TIME CODE | (O ID 2/2) | **NOT USED** |
| 624 005 | CENTURY | (O NO 2/2) | **NOT USED** |

856iHC41

SEGMENT N1 - NAME

PURPOSE

To specify identifying numbers.

EDI STANDARD SEGMENT

N1 * 98 * 93 * 66 * 67 ~

HSN SUBSET OF EDI STANDARD SEGMENT

N1 * 128 * 127 * 66 * 67 ~

| ELEMENT NUMBER | ELEMENT NAME/DESCRIPTION | ELEMENT ATTRIBUTES | COMMENTS |
|----------------|---|--------------------|--|
| N1 | SEGMENT IDENTIFIER | | " N1 " |
| 98 001 | ENTITY IDENTIFIER CODE | (M ID 2/3) | " VN " = Vendor |
| 93 002 | NAME Free form name. | (C ID 1/60) | Name of Vendor |
| 66 003 | IDENTIFICATION CODE QUALIFIER Reference number or identification number as defined for a particular Transaction Set. or as specified by the Reference Number Qualifier. | (C AN 1/2) | " 92 " = Assigned by Buyer |
| 67 004 | IDENTIFICATION CODE A free form description to clarify the related data elements and their content. | (C AN 2/80) | HSN Internal Vendor Number (from BEG04 on original PO) |

856iHC41

SEGMENT SAC - ALLOWANCE, CHARGE, OR SERVICE

PURPOSE

To specify allowances, charges or services.

EDI STANDARD SEGMENT

| | | | | | | | | | | | |
|-----|---|-----|---|------|---|-----|---|------|---|-----|---|
| SAC | * | 248 | * | 1300 | * | 559 | * | 1301 | * | 610 | * |
| | | 378 | * | 332 | * | 118 | * | 355 | * | 380 | * |
| | | 380 | * | 331 | * | 127 | * | 770 | * | 352 | ~ |

HSN SUBSET OF EDI STANDARD SEGMENT

| | | | | | | | | | | | | | | | |
|-----|---|-----|---|------|---|---|---|-----|---|---|---|---|---|---|---|
| SAC | * | 248 | * | 1300 | * | * | * | 610 | * | * | * | * | * | * | * |
| | | * | * | * | * | * | * | ~ | | | | | | | |

| ELEMENT NUMBER | ELEMENT NAME/DESCRIPTION | ELEMENT ATTRIBUTES | COMMENTS |
|----------------|---|--------------------|---|
| SAC | SEGMENT IDENTIFIER | | "SAC" |
| 248 001 | ALLOWANCE/CHARGE INDICATOR Code which indicates an allowance or charge for the service specified. | (M ID 1/1) | HSN " C " |
| 1300 002 | SERVICE,PROMOTION,ALLOW CHARGE CODE | (M ID 4/4) | HSN "G830" = Shipping & Handling |
| 559 003 | AGENCY QUALIFIER CODE | (C ID 2/2) | **NOT USED** |
| 1301 004 | AGENCY SERVICE, PROMOTION, ALLOWANCE, or CHARGE CODE Code indicating method of handling for an allowance or charge. | (C ID 1/10) | **NOT USED** |
| 610 005 | ALLOWANCE/CHARGE TOTAL AMOUNT Total dollar amount for the allowance or charge. | (O N2 1/15) | HSN Total of charges (2 decimals implied) |
| 378 006 | ALLOWANCE/CHARGE PERCENT QUALIFIER | (O R 1/1) | **NOT USED** |
| 332 007 | PERCENT | (O N2 1/9) | **Not USED** |
| 118 008 | RATE | (O ID 1/1) | **NOT USED** |
| 355 009 | UOM CODE | (C R 1/6) | **NOT USED** |
| 380 010 | QUANTITY | (O R 1/15) | **NOT USED** |

NOTE REGARDING THE COMMENTS FIELD: Actual values are contained within quotes

856iHC41

| | | | |
|--------------------|---|-------------|---------------------|
| 380 011 | QUANTITY | (O R 1/15) | **NOT USED** |
| 380 012 | ALLOWANCE/CHARGE METHOD OF HANDLING CODE Code indicating method of handling for an allowance or charge. | (O ID 2/2) | **Not USED** |
| 352 013 | REFERENCE IDENTIFICATION | (C AN 1/30) | **NOT USED** |
| 150 014 | OPTION NUMBER | (O AN 1/20) | **NOT USED** |
| 352 015 | DESCRIPTION Free form description to clarify the related data elements and their content. | (C AN 1/80) | **Not Used** |
| | | | |

856iHC41

SEGMENT CTT - TRANSACTION TOTALS

PURPOSE

To transmit a hash total for a specific element in the transaction set.

EDI STANDARD SEGMENT

CTT * 354 * 347 * 81 * 355 * 183 *
 355 * 352 ~

HSN SUBSET OF EDI STANDARD SEGMENT

CTT * 354 ~

| ELEMENT NUMBER | ELEMENT NAME/DESCRIPTION | ELEMENT ATTRIBUTES | COMMENTS |
|----------------|--|--------------------|--|
| CTT | SEGMENT IDENTIFIER | | "CTT" |
| 354 001 | NUMBER OF LINE ITEMS Total number of line items in the transaction set. | (M NO 1/6) | ANSI Mandatory Number of HL segments in the Transaction Set. |
| 347 002 | HASH TOTAL | (O R 1/10) | **NOT USED** |
| 81 003 | WEIGHT | (C R 1/10) | **NOT USED** |
| 355 004 | UNIT OF MEASUREMENT CODE | (C ID 2/2) | **NOT USED** |
| 183 005 | VOLUME | (O R 1/8) | **NOT USED** |
| 355 006 | UNIT OF MEASUREMENT CODE | (C ID 2/2) | **NOT USED** |
| 352 007 | DESCRIPTION | (O AN 1/80) | **NOT USED** |

856iHC41**SEGMENT SE - TRANSACTION SET TRAILER****PURPOSE**

To indicate the end of the transaction set and provide the count of the transmitted segments including the beginning ST and ending SE segments.

EDI STANDARD SEGMENT

| | | | | | |
|----|---|----|---|-----|---|
| SE | * | 96 | * | 329 | ~ |
|----|---|----|---|-----|---|

HSN SUBSET OF EDI STANDARD SEGMENT

Same as EDI Standard Segment.

| ELEMENT NUMBER | ELEMENT NAME/DESCRIPTION | ELEMENT ATTRIBUTES | COMMENTS |
|----------------|--|--------------------|---|
| SE | SEGMENT IDENTIFIER | | "SE" |
| 96 001 | NUMBER OF INCLUDED SEGMENTS Total number of segments included in a transaction set including the ST and SE segments. | (M NO 1/6) | Total number of segments included in the transaction set. |
| 329 002 | TRANSACTION SET CONTROL NUMBER Identifying control number assigned by the originator for a transaction set. | (M AN 4/9) | This is the same number as in the preceding ST segment. |

856iHC41

SEGMENT GE - FUNCTIONAL GROUP TRAILER

PURPOSE

To indicate the end of a functional group and to provide control.

EDI STANDARD SEGMENT

GE * 97 * 28 ~

HSN SUBSET OF EDI STANDARD SEGMENT

Same as EDI Standard Segment

| ELEMENT NUMBER | ELEMENT NAME/DESCRIPTION | ELEMENT ATTRIBUTES | COMMENTS |
|-----------------------|---|---------------------------|---|
| GE | SEGMENT IDENTIFIER | | “ GE “ |
| 97 001 | NUMBER OF TRANSACTION SETS INCLUDED. Count of ST segments within the Group. | (M NO 1/6) | Total number of transaction sets included in the GS - GE group. |
| 28 002 | GROUP CONTROL NUMBER Assigned number originated and maintained by the sender. | (M NO 1/9) | Same number as in GS segment (data element 06) |

856iHC41

SEGMENT IEA - INTERCHANGE CONTROL TRAILER

PURPOSE

To define the end of an interchange of one or more functional groups and interchange-related control segments.

EDI STANDARD SEGMENT

IEA * I16 * I12 ~

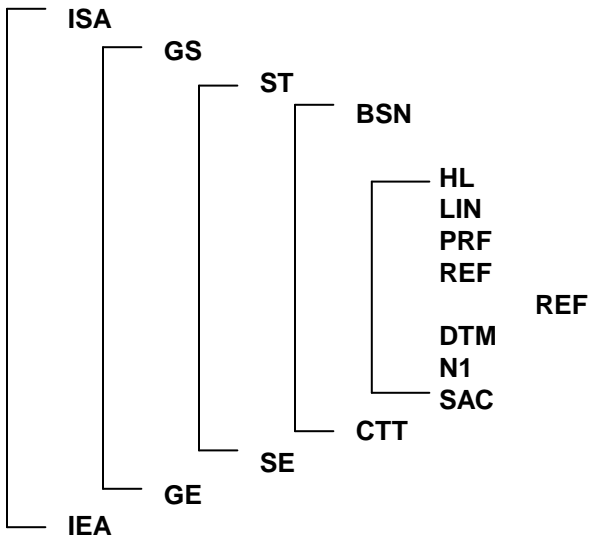
HSN SUBSET OF EDI STANDARD SEGMENT

Same as EDI Standard Segment.

| ELEMENT NUMBER | ELEMENT NAME/DESCRIPTION | ELEMENT ATTRIBUTES | COMMENTS |
|----------------|--|--------------------|---|
| IEA | SEGMENT IDENTIFIER | | " IEA " |
| I16 001 | NUMBER OF INCLUDED FUNCTIONAL GROUPS A count of the number of included groups included in a transmission. | (M NO 1/5) | Count of the GS segments in the transmission. |
| I12 002 | INTERCHANGE CONTROL NUMBER Number that uniquely identifies the interchange data. It is assigned by the sender. | (M NO 9/9) | Same number as in the ISA segment (data element 13) |

856iHC41

TRANSACTION LAYOUT



856iHC41

SAMPLE TRANSACTION

ISA*00* *00* *12*1138946079 *01*076902113
*000509*0300*U*00401*000000836*0*P*:
GS*SH*1138946079*076902113*000509*0300*836*X*004010
ST*856*8360001
BSN*00*356846*20000508*2110
HL*1**I*0
LIN**IT*127394
PRF*426574644
REF*CN*1Z2X49X40342112648
REF*IV*356846
DTM*011*20000508
N1*VN*Frosty Cone*92*097120
SAC*C*G830***800
CTT*1
SE*12*8360001
ST*856*8360002
BSN*00*356856*20000508*2110
HL*1**I*0
LIN**IT*127394
PRF*426574662
REF*CN*1Z2X49X40340776453
REF*IV*356856
DTM*011*20000508
N1*VN*Frosty Cone*92*097120
SAC*C*G830***800
CTT*1
SE*12*8360002
ST*856*8360003
BSN*00*356857*20000508*2110
HL*1**I*0
LIN**IT*127394
PRF*426574666
REF*CN*1Z2X49X40342355065
REF*IV*356857
DTM*011*20000508
N1*VN*Frosty Cone*92*097120
SAC*C*G830***800
CTT*1
SE*12*8360003
ST*856*8360004
BSN*00*356859*20000508*2110
HL*1**I*0
LIN**IT*127394
PRF*426574670
REF*CN*1Z2X49X40340912680
REF*IV*356859
DTM*011*20000508
N1*VN*Frosty Cone*92*097120
SAC*C*G830***800
CTT*1
SE*12*8360004
GE*4*836
IEA*1*000000836

856iHC41
